

RST® NRG – FEATURES AT A GLANCE

CODING – FOR BETTER DISTINGUISHMENT + SECURITY

Depending on the application, two mechanical codings are available.

Brown coding

For applications in the extra low voltage range (protection class III)

Black coding

For applications in the mains voltage range (protection class II)

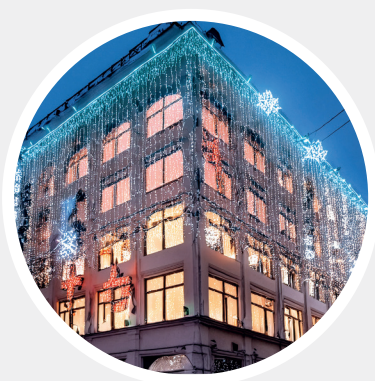
Behind the color coding, there is also a mechanical keying preventing any risk of incorrect connection.



TWISTLOCK – INNOVATIVE LOCKING MECHANISM

Thanks to the proven TWISTLOCK locking mechanism of the RST® MINI connector system, the connectors automatically lock into place when plugged together, providing the user with clear feedback that the connection is correctly aligned. A slight twist releases the connection.

EXAMPLE APPLICATIONS IN THE FIELD OF LIGHTING





wieland

HEADQUARTERS

Wieland Electric GmbH
Brennerstraße 10 – 14
96052 Bamberg · Germany

Phone +49 951 9324-0
Fax +49 951 9324-198
info@wieland-electric.com

0636.1 U 05/26

Represented in over 70 countries worldwide:

www.wieland-electric.com



RST® NRG 2x2,5 mm²

READY TO **POWER**

The compact flat cable system for quick installation with the highest IP protection rating.

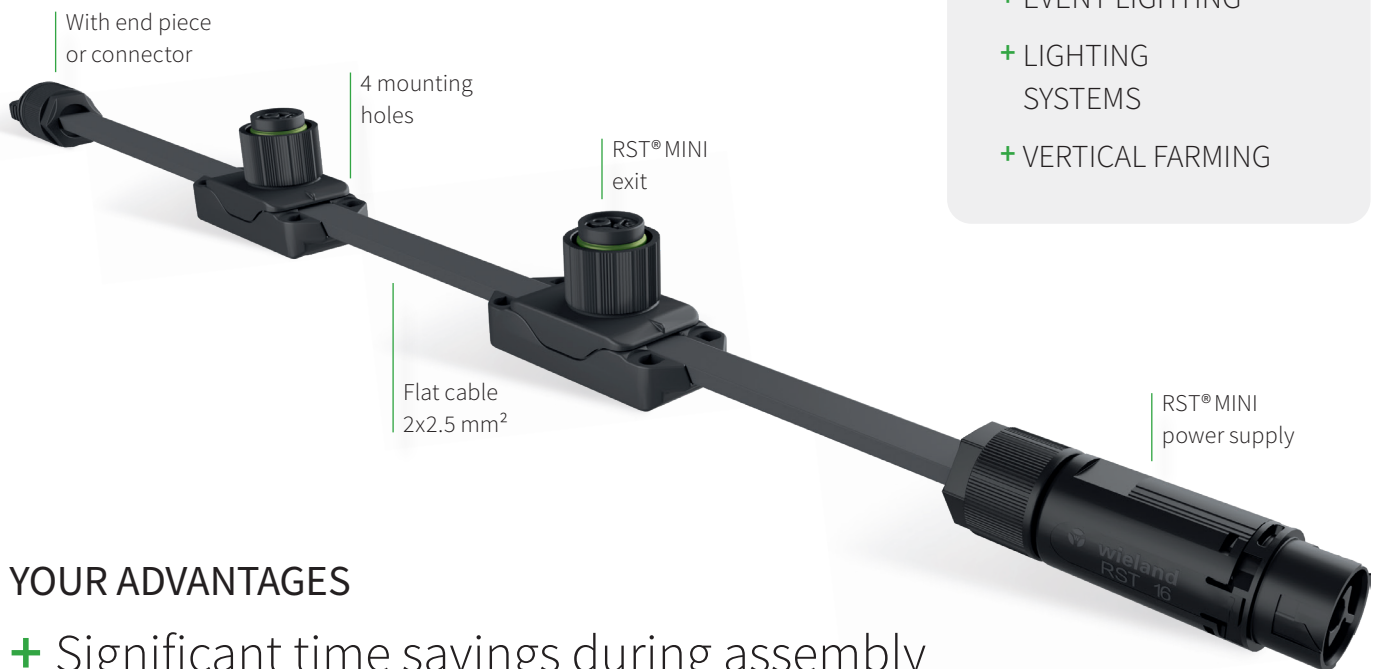
PRE-ASSEMBLED EFFICIENT ENERGY DISTRIBUTION – PLUG-IN IN A COMPACT FORMAT.

The RST® NRG 2x2,5 mm² flat cable is based on the proven RST® MINI connector system and aims at the optimized integration of electrical loads into an efficient infrastructure.

Customer-specific cable assemblies are automatically pre-assembled at the factory. On site, they are installed quickly and safely using pluggable interfaces. Depending on the application, loads are connected either directly via an RST® MINI device connection or via a pre-assembled cable. With the appropriate system components, even complex electrical installations can be implemented easily. The end of the flat cable can optionally be fitted with an end cap or with a pluggable RST® MINI interface for further power distribution.

THE SYSTEM FOR:

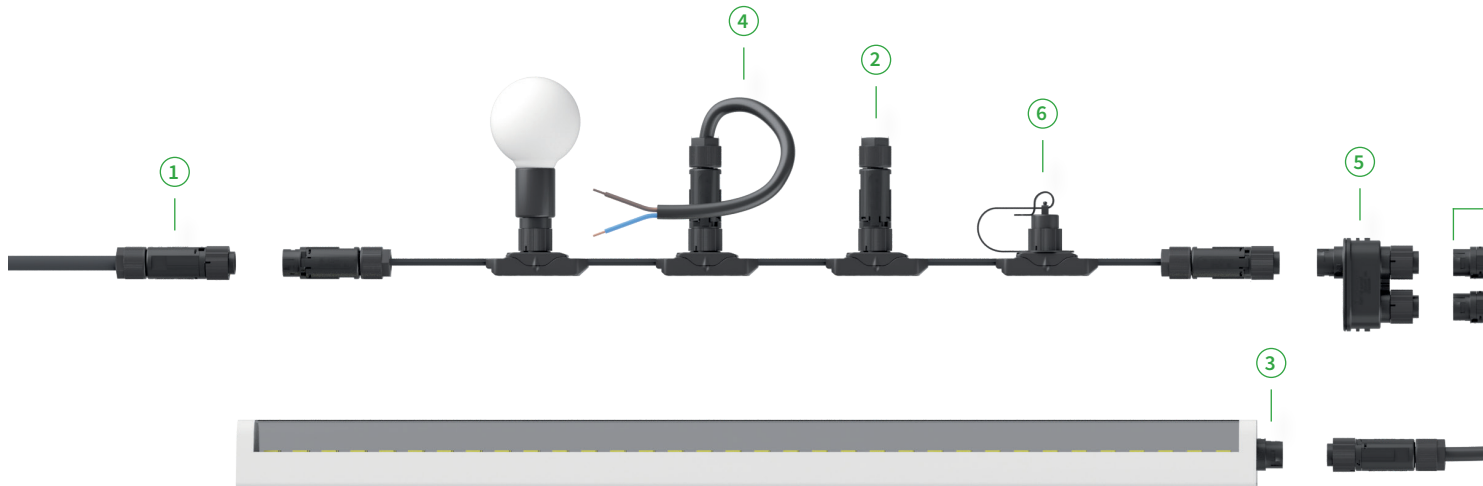
- + DC POWER SUPPLY IN INDUSTRIAL PLANTS
- + ARCHITECTURAL LIGHTING
- + SHELVING SYSTEMS
- + EVENT LIGHTING
- + LIGHTING SYSTEMS
- + VERTICAL FARMING



YOUR ADVANTAGES

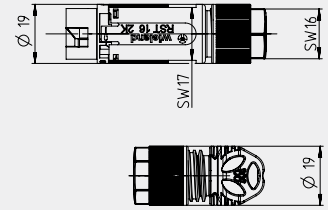
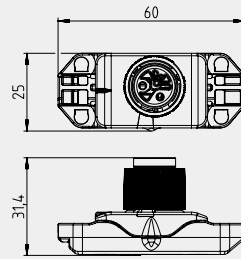
- + Significant time savings during assembly
- + Space-saving and inconspicuous
- + Customized cable layout with just a few components





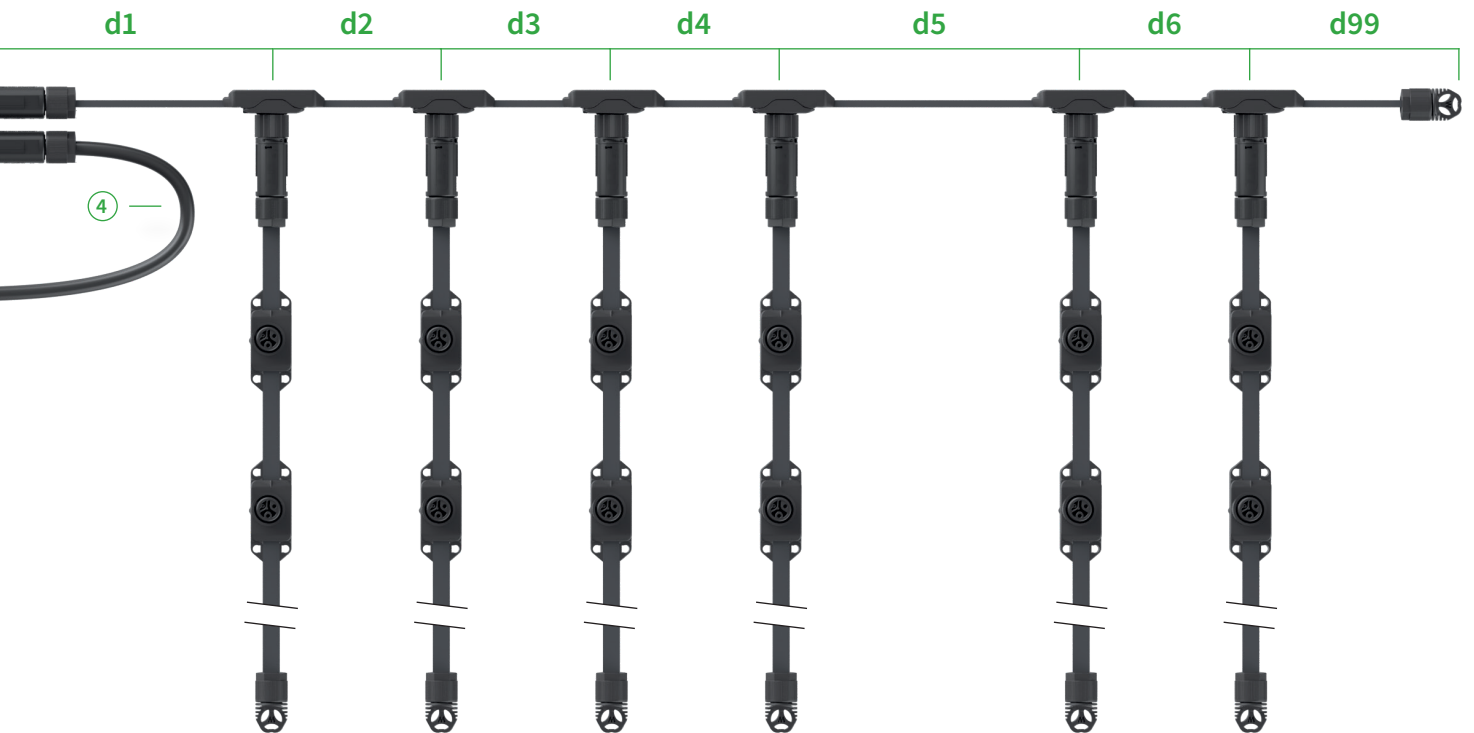
TECHNICAL FEATURES

- Rated voltage: 250 V
- Rated current: 16 A
- Approval: TÜV certified
- Cable type: 2x2.5 mm², PUR or FRNC
- Material: Polyamide, halogen-free



COMPONENTS OVERVIEW

| | | | | |
|---|--|-----------------|--|--------------------------------|
| ① FEED-IN CONNECTOR | Type | Coding | Art. No. | |
| | Female | black | 46.031.4554.1 | |
| | Female | brown | 46.031.4551.4 | |
| ② TAP-OFF CONNECTOR | Type | Coding | Art. No. | |
| | Male | black | 46.032.4554.1 | |
| | Male | brown | 46.032.4551.4 | |
| ③ DEVICE CONNECTOR FOR ELECTRICAL DEVICES | Type | Coding | Art. No. | |
| | Male | black | 46.032.5054.1 | |
| | Male | brown | 46.032.5051.4 | |
| ④ CABLE ASSEMBLIES | Type | Coding | Leitungstyp | Art. No. |
| | Connecting cable, female - male | black | H07RN-F 2x 2,5 mm ² | 46.423.x030.1 |
| | Connecting cable, female - male | brown | H07RN-F 2x 2,5 mm ² | 46.423.x032.4 |
| | Connecting cable, female - male | black | H07RN-F 2x 1,5 mm ² | 46.422.x030.1 |
| | Connecting cable, female - male | brown | H07RN-F 2x 1,5 mm ² | 46.422.x032.4 |
| | Connecting cable, male - open end Anschlussleitung, male - open end | black brown | H07RN-F 2x 1,5 mm ² H07RN-F 2x 1,5 mm ² | 46.422.x034.1 46.422.x038.4 |
| x = meters (1-8) | | | | |
| ⑤ DISTRIBUTION BLOCK | Type | Coding | Art. No. | |
| | Distribution block, 1 input / 2 outputs | black | 46.030.1254.1 | |
| | Distribution block, 1 input / 2 outputs | brown | 46.030.1251.4 | |
| ⑥ COVER PIECE | Type | Art. No. | | |
| | Cover piece für Tap-off | 06.563.8753.1 | | |



CONFIGURE YOUR RST® NRG 2X2,5 MM² FLAT CABLE

1. CAPTURE DATA

We only need a few details to configure your individual pre-assembled flat cable.

Coding



Mains 250 V
black



Extra-low voltage
brown



Cable type



PUR
2x2.5



Execution of flat cable end



Connectors
plug-in continua-
tion of the flat cable



End piece
for terminating
the flat cable



Distance ...

d1 ... between the feed-in con-
nector and the first tap-off
(minimum 20 cm*)

d99 ... between last tap-off
and end piece
(minimum 20 cm*)

**d2-
d98** ... between each tap-off
(minimum 20 cm, distances may vary)

*Standard length. Deviations available on request.

2. START INQUIRY



Please send us the data collected
here by email (click on the icon to send
or to building@wieland-electric.com)
or call us on +49 951 9324-996.

3. RECEIVE ORDER



The flat cable strands are individually
wound, packaged and marked with a
customer-specific label.